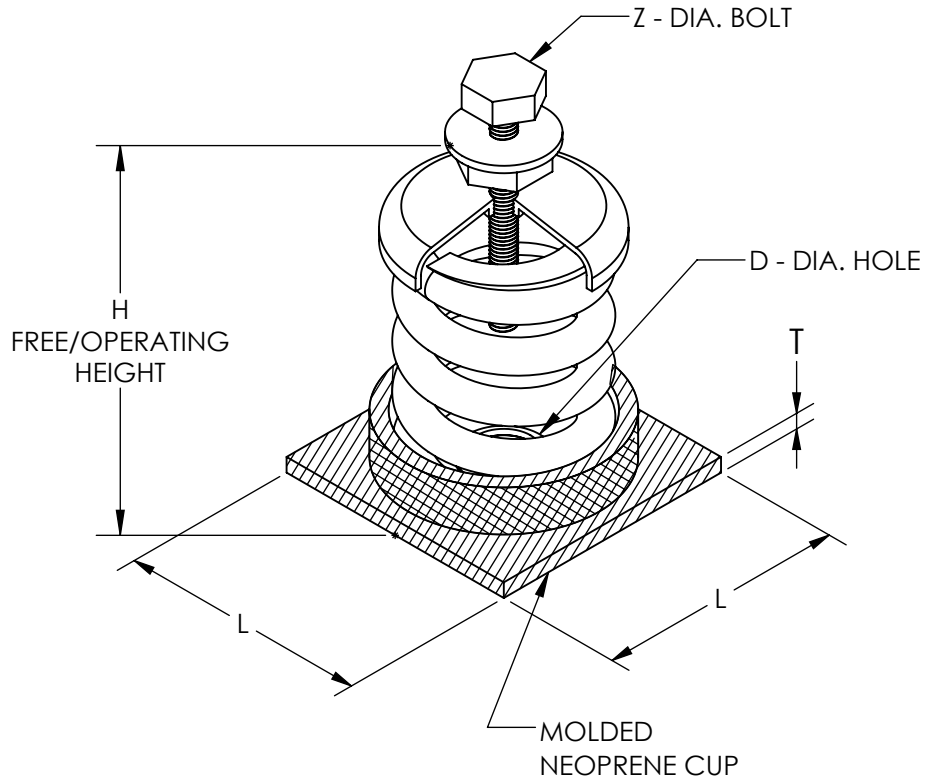


**ISOLATOR SUBMITTAL
 UNHOUSED SPRING, 2" DEFLECTION**



DIMENSIONAL DATA

MODEL	L	T	D	H	Z
FDS 2-100/1975	4.38	0.38	1.00	7.31	0.38

MODEL		SPRING COIL					
		COLOR		FREE HT.	O.D.	RATED (LBS)	
TYPE	SIZE	OUTER	INNER			LOAD	DEFL.
FDS	2-100	GRAY		6.09	3.50	100	2.00
FDS	2-135	BEIGE		6.09	3.50	135	2.00
FDS	2-185	BROWN		6.09	3.50	185	2.00
FDS	2-225	GRAY	BROWN	6.09	3.50	225	2.00
FDS	2-250	BLUE		6.09	3.50	250	2.00
FDS	2-375	BLUE	BROWN	6.09	3.50	375	2.00
FDS	2-500	GREEN		6.09	3.50	500	2.00
FDS	2-625	GREEN	BROWN	6.09	3.50	625	2.00
FDS	2-750	BLACK		6.09	3.50	750	2.00
FDS	2-875	BLACK	BROWN	6.09	3.50	875	2.00
FDS	2-995	ORANGE		6.09	3.50	995	2.00
FDS	2-1120	ORANGE	BROWN	6.09	3.50	1120	2.00
FDS	2-1400	ORANGE	GREEN	6.09	3.50	1400	2.01
FDS	2-1600	RED		6.09	3.50	1600	2.00
FDS	2-1975	RED	GREEN	6.09	3.50	1975	1.98

NOTES:

- FREE STANDING COIL SPRING ISOLATOR
- POWERDER COATED SPRING ELEMENT, ALL OTHER METALLIC COMPONENTS ARE BRIGHT ZINC PLATED
- 50% MINIMUM OVERLOAD

ALL DIMENSIONS ARE IN INCHES

REVISION:

FORM:

REPLACES: